



## PRODUCT DATA SHEET

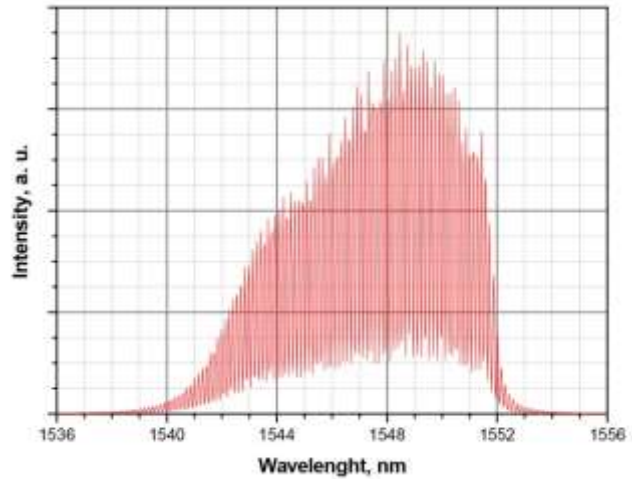
Laser Diode (HHL w/fiber package)

Model FB-M1550-2000HF

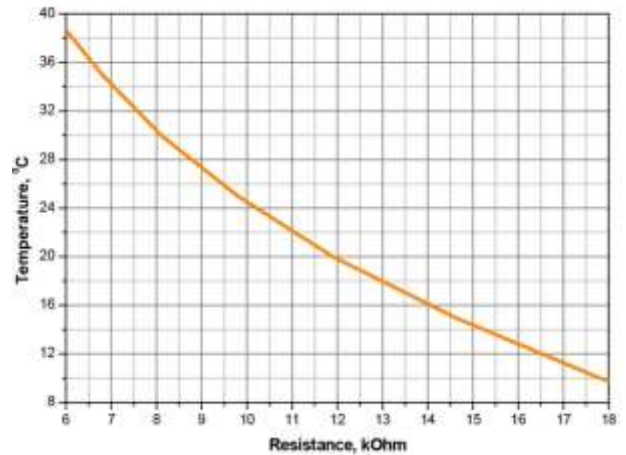
Specification	Symbol	Typical	Unit
<b>Laser Emitter (at Top=10 degree)</b>			
Peak Wavelength	$\lambda_{op}$	1550±30	nm
CW Optical Output Power	$P_{op}$	2	W
Operation Current	$I_{op}$	7±0.5	A
Operation Voltage	$U_{ld}$	1.35±0.2	V
Threshold Current	$I_{th}$	0.7±0.1	A
Spectrum Half-Width (FWHM)	$\Delta\lambda$	8±2	nm
Operation Mode		CW, QCW, Pulse ( $\tau > 5ns$ )	-
<b>Optical Fiber</b>			
Fiber diameter		100 or 200	$\mu m$
Coating diameter		125 or 220	$\mu m$
Outer diameter		3	mm
Numerical Aperture		0,22	-
Fiber Length		1	m
Optical Connector Type		FC	-
<b>Photo Diode Monitor</b>			
PD Monitor Current		1-1000	$\mu A$
PD Reverse Voltage		9	V
<b>TEC</b>			
Maximum Current		5	A
Maximum Operation Voltage		3,8	V
<b>Other parameters</b>			
Thermistor Resistance		10	kilohm
Operation Temperature Range		-20... +40	degree
Wavelength Temperature Coefficient	$\Delta\lambda/\Delta T$	4±0.5	$\text{\AA}/\text{degree}$
Operation Current Temperature Coefficient	$\Delta I/\Delta T$	15±5	mA/degree
Guaranteed Life Time		1	year



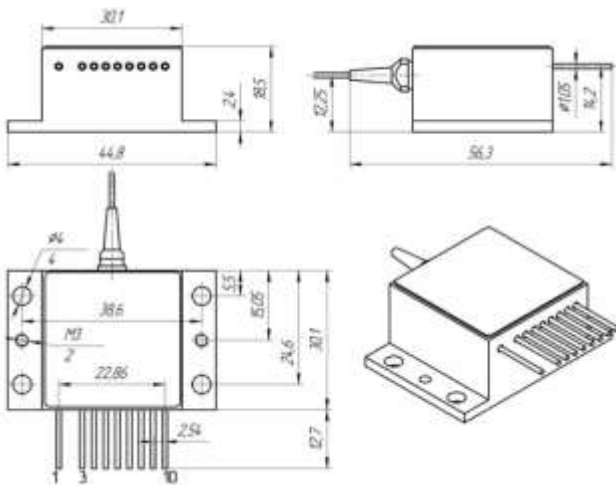
Typical Spectrum



Thermistor resistance diagram



Dimensions and pinouts



- 1-TEC (-)
- 2-
- 3-
- 4- Laser Anode(+)
- 5- Thermistor (2)
- 6- Thermistor (1)
- 7- Laser Cathode (-)
- 8- PD Anode (+)
- 9- PD Cathode (-)
- 10- TEC (+)