



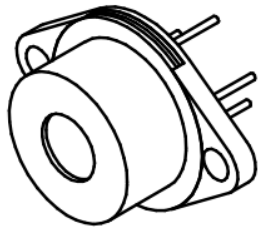
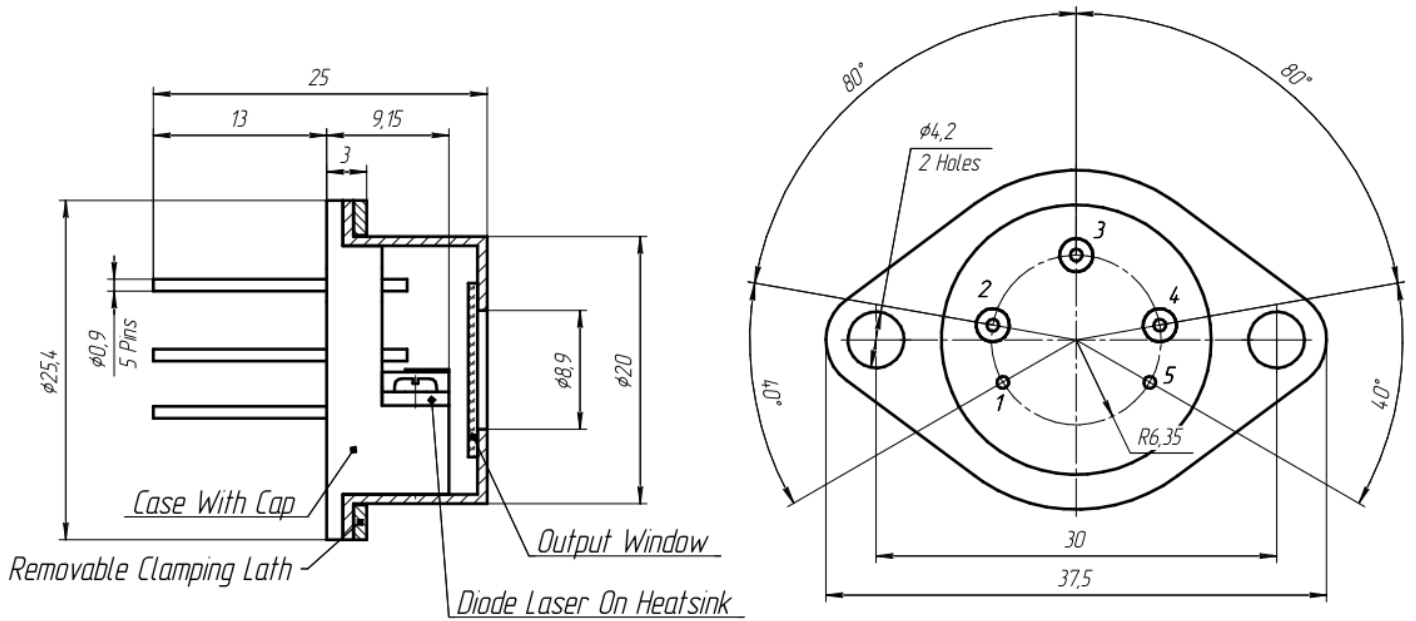
## PRODUCT DATA SHEET

Pulse Laser Diode (TO-3 package) 1550nm 10W

Parameter	Sign	Value			Unit
		Min	Typical	Max	
<b><i>Laser emitter</i></b>					
Pulse output optical power	$P_{op}$	-	10	-	W
Power temperature shift	$\Delta P/\Delta T$	1.0	1.3	1.6	W/°C
Operation current (current pulse amplitude)	$I_{pa6}$	30	35	40	A
Апертура излучения	$W \times d$		100x1		mkm*mkm
Operation voltage	$U_{op}$	2.8	3.1	3.5	V
Beam divergence in vertical plane (FWHM) (fast axis)*	$\theta_{\perp}$	27	30	33	grade
Beam divergence in horizontal plane (FWHM) (slow axis)	$\theta_{\parallel}$	15	20	25	grade
Wavelength	$\lambda$	<b>1500</b>	<b>1550</b>	<b>1600</b>	nm
Spectrum temperature shift	$\Delta\lambda/\Delta T$	0,35	0,4	0,45	nm/°C
<b><i>Operation mode - Pulse</i></b>					
Pulse duration	$\tau$	20	100	-	ns
Pulse frequency	f	-	1	2	kHz
Temperature operation rate*		10	+25	+30	°C

Optionally cylindrical lens can be installed into the package, which narrow beam divergence by fast axis to  $1 \pm 0.5$  grade (FWHM)

Drawings:



1, 5	LD +
2	LD -
3	PD -
4	PD +