



## PRODUCT DATA SHEET

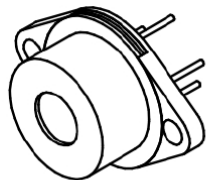
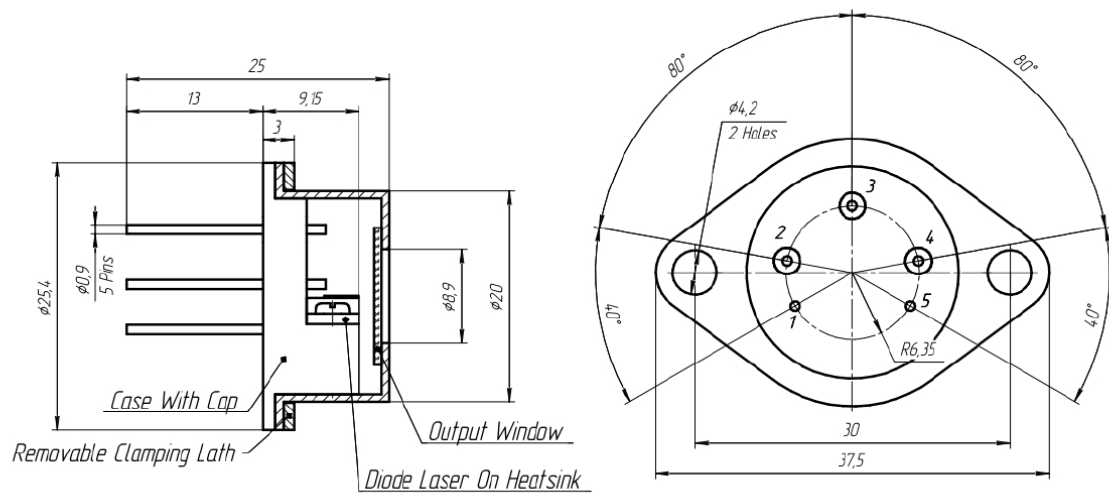
Pulse Laser Diode (TO-3 package) 1550nm 10W

| Parameter  | Sign                      | Value       |             |             | Unit            |
|--|---------------------------|-------------|-------------|-------------|-----------------|
|  |                           | Min         | Typical     | Max         |                 |
| <b><i>Laser emitter</i></b>                            |                           |             |             |             |                 |
| Pulse output optical power                             | $P_{op}$                  | -           | 10          | -           | W               |
| Power temperature shift                                | $\Delta P/\Delta T$       | 1.0         | 1.3         | 1.6         | W/°C            |
| Operation current (current pulse amplitude)            | $I_{pa6}$                 | 40          | 45          | 50          | A               |
| Emitting aperture                                      | $W \times d$              |             | 100x1       |             | $\mu m * \mu m$ |
| Operation voltage                                      | $U_{op}$                  | 3           | 4           | 5           | V               |
| Beam divergence in vertical plane (FWHM) (fast axis)*  | $\theta_{\perp}$          | 30          | 35          | 40          | deg             |
| Beam divergence in horizontal plane (FWHM) (slow axis) | $\theta_{\parallel}$      | 15          | 20          | 25          | deg             |
| Wavelength   | $\lambda$                 | <b>1500</b> | <b>1550</b> | <b>1600</b> | nm              |
| Spectrum temperature shift                             | $\Delta \lambda/\Delta T$ | 0.45        | 0.5         | 0.55        | nm/°C           |
| <b><i>Operation mode - Pulse</i></b>                   |                           |             |             |             |                 |
| Pulse duration   | $\tau$                    | 5           | 100         | -           | ns              |
| Pulse frequency  | $f$                       | -           | 1           | 100         | kHz             |
| Temperature operation rate*                            |                           | 10          | +25         | +30         | °C              |

Optionally cylindrical lens can be installed into the package, which narrow beam divergence by fast axis to  $1 \pm 0.5$  deg/ (FWHM)



Drawings:



|      |      |
|------|------|
| 1; 5 | LD + |
| 2    | PD + |
| 3    | PD - |
| 4    | LD - |