



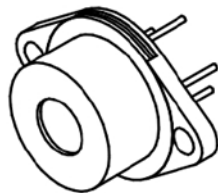
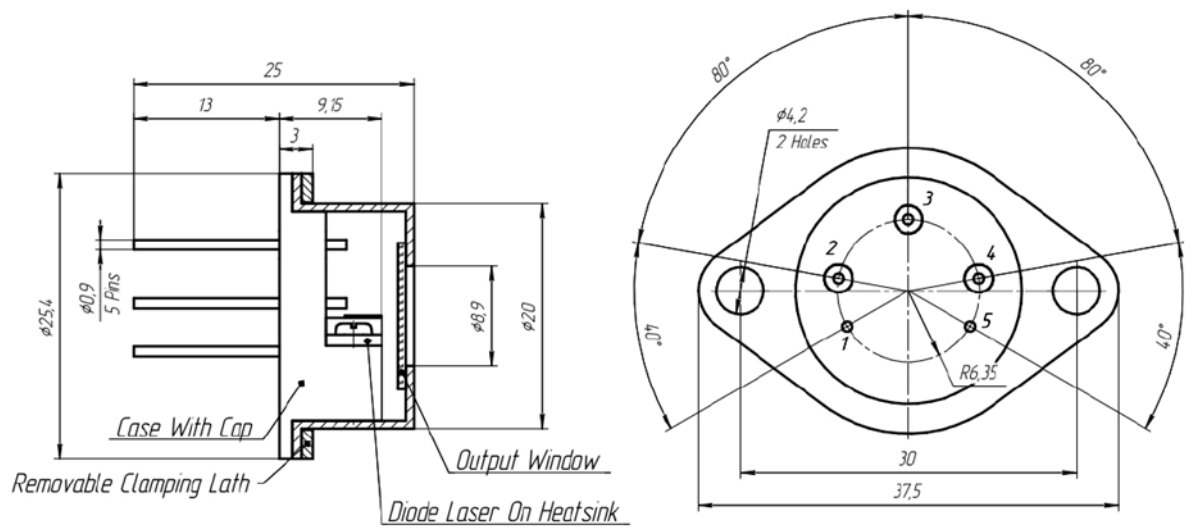
## PRODUCT DATA SHEET

Laser Diode (TO-3 package)

Model FB-M1300-2000TO3

| Specification                             | Symbol                   | Typical                                | Unit                             |
|---|--------------------------|--|----------------------------------|
| Laser Emitter                             |                          |  |                                  |
| Peak Wavelength                           | $\lambda_{op}$           | 1300±10                                | nm                               |
| CW Optical Output Power                   | $P_{op}$                 | 2                                      | W                                |
| Operation Current                         | $I_{op}$                 | <6                                     | A                                |
| Operation Voltage                         | $U_{ld}$                 | 1.2±0.1                                | V                                |
| Threshold Current                         | $I_{th}$                 | <0.65                                  | A                                |
| Beam Divergence (FWHM)                    | $\theta_{  }$            | 10±1                                   | degree                           |
| Beam Divergence (FWHM)                    | $\theta_{\perp}$         | 1                                      | degree                           |
| Spectrum Half-Width (FWHM)                | $\Delta\lambda$          | <7                                     | nm                               |
| Emitting Area                             | $W \times d$             | 100x1                                  | $\mu\text{m} \times \mu\text{m}$ |
| Operation Mode                            | -                        | CW, QCW, Pulse ( $\tau > 5\text{ns}$ ) | -                                |
| Operation Temperature                     | $T_{op}$                 | 25                                     | degree                           |
| Photo Diode Monitor                       |                          |  |                                  |
| PD Monitor Current                        |                          | 1-1000                                 | $\mu\text{A}$                    |
| PD Reverse Voltage                        |                          | 9                                      | V                                |
| Wavelength Temperature Coefficient        | $\Delta\lambda/\Delta T$ | 4±0.5                                  | $\text{\AA}/\text{degree}$       |
| Operation Current Temperature Coefficient | $\Delta I/\Delta T$      | 15±5                                   | mA/degree                        |
| Operation Temperature Range               |                          | -20... +40                             | degree                           |
| Storage Temperature Range                 |                          | -40... +80                             | degree                           |

Drawings:



|      |      |
|------|------|
| 1, 5 | LD + |
| 2    | PD + |
| 3    | PD - |
| 4    | LD - |