



## PRODUCT DATA SHEET

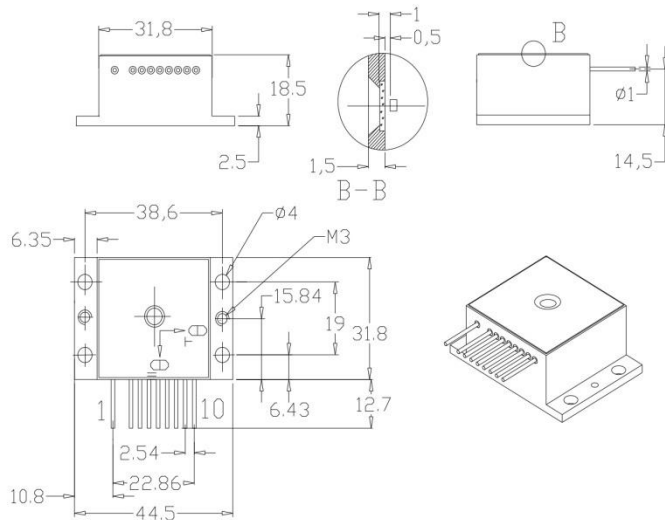
Laser Diode (HHL w/window package)

Model FB-M1470-2000HO

Specification	Symbol	Typical	Unit
Laser Emitter			
Peak Wavelength	$\lambda_{op}$	1470±10	nm
CW Optical Output Power	$P_{op}$	2	W
Operation Current	$I_{op}$	<5.5	A
Operation Voltage	$U_{ld}$	1.15±0.1	V
Threshold Current	$I_{th}$	< 0.9	A
Beam Divergence (FWHM)	$\theta_{  }$	8±2	degree
Beam Divergence (FWHM)	$\theta_{\perp}$	1±0.3	degree
Spectrum Half-Width (FWHM)	$\Delta\lambda$	<8	nm
Emitting Area	$W \times d$	100x1	$\mu m \times \mu m$
Operation Mode	-	CW, QCW, Pulse ( $\tau > 5ns$ )	-
Operation Temperature	Top	25	degree
Photo Diode Monitor			
PD Monitor Current		1-1000	$\mu A$
PD Reverse Voltage		9	V
TEC			
Maximum Current		5	A
Maximum Operation Voltage		3,8	V
Thermistor			
Resistance		10	kilohm
Wavelength Temperature Coefficient	$\Delta\lambda/\Delta T$	5.5±0.5	Å/degree
Operation Current Temperature Coefficient	$\Delta I/\Delta T$	20±5	mA/degree
Operation Temperature Range		-20... +40	degree
Storage Temperature Range		-40... +80	degree



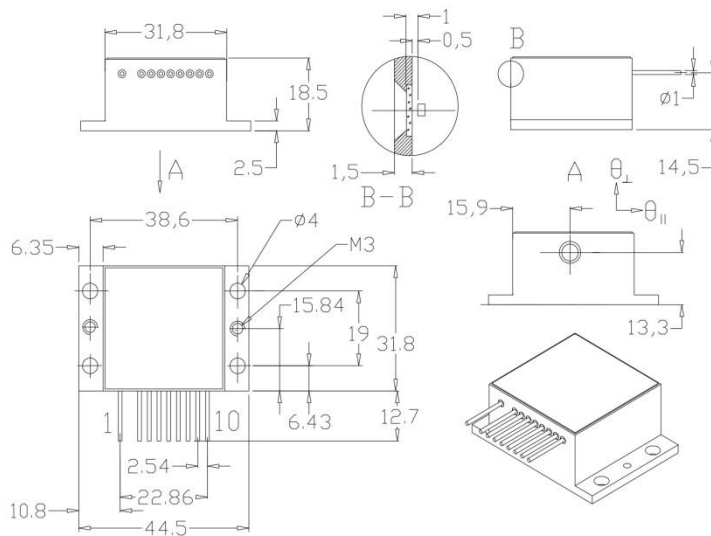
**Output window on the top of HHL (optional)**



- 1-TEC (-)
- 2-
- 3-
- 4- Laser Anode(+)
- 5- Thermistor (2)
- 6- Thermistor (1)
- 7- Laser Cathode (-)
- 8- PD Anode (+)
- 9- PD Cathode (-)
- 10- TEC (+)

Output window of 0.5 mm in thickness

**Output window on the front side of HHL (by default)**



- 1- TEC (-)
- 2-
- 3-
- 4- Laser Anode(+)
- 5- Thermistor (2)
- 6- Thermistor (1)
- 7- Laser Cathode (-)
- 8- PD Anode (+)
- 9- PD Cathode (-)
- 10- TEC (+)

Output window of 0.5 mm in thickness