



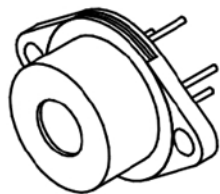
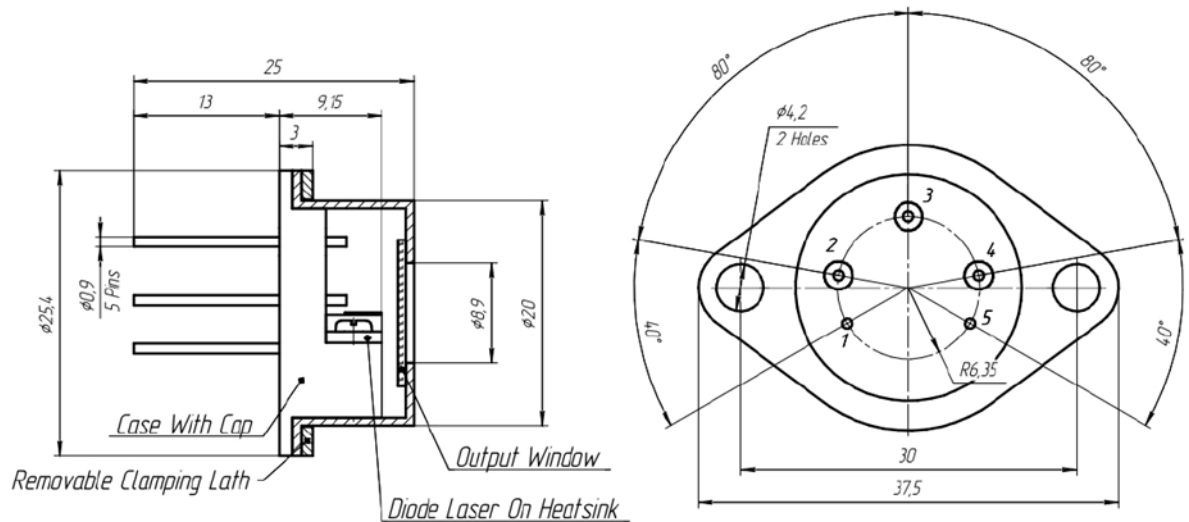
## PRODUCT DATA SHEET

Laser Diode (TO-3 package)

Model FB-M1550-2000TO3

| Specification                             | Symbol                   | Typical                            | Unit                       |
|-------------------------------------------|--------------------------|------------------------------------|----------------------------|
| Laser Emitter                             |                          |                                    |                            |
| Peak Wavelength                           | $\lambda_{op}$           | 1550±25                            | nm                         |
| CW Optical Output Power                   | $P_{op}$                 | 2                                  | W                          |
| Operation Current                         | $I_{op}$                 | <6                                 | A                          |
| Operation Voltage                         | $U_{ld}$                 | 1.25±0.1                           | V                          |
| Threshold Current                         | $I_{th}$                 | <0.9                               | A                          |
| Beam Divergence (FWHM)                    | $\theta_{  }$            | 10±1                               | degree                     |
| Beam Divergence (FWHM)                    | $\theta_{\perp}$         | 1                                  | degree                     |
| Spectrum Half-Width (FWHM)                | $\Delta\lambda$          | <10                                | nm                         |
| Emitting Area                             | $W \times d$             | 100x1                              | $\mu m \times \mu m$       |
| Operation Mode                            | -                        | CW, QCW,<br>Pulse ( $\tau > 5ns$ ) | -                          |
| Operation Temperature                     | Top                      | 25                                 | degree                     |
| Photo Diode Monitor                       |                          |                                    |                            |
| PD Monitor Current                        |                          | 1-1000                             | $\mu A$                    |
| PD Reverse Voltage                        |                          | 9                                  | V                          |
| Wavelength Temperature Coefficient        | $\Delta\lambda/\Delta T$ | 6.0±0.5                            | $\text{\AA}/\text{degree}$ |
| Operation Current Temperature Coefficient | $\Delta I/\Delta T$      | 15±5                               | $\text{mA}/\text{degree}$  |
| Operation Temperature Range               |                          | -20... +40                         | degree                     |
| Storage Temperature Range                 |                          | -40... +80                         | degree                     |

Drawings:



|      |      |
|------|------|
| 1, 5 | LD + |
| 2    | PD + |
| 3    | PD - |
| 4    | LD - |