



PRODUCT DATA SHEET

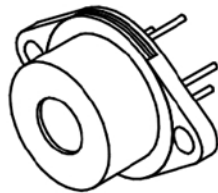
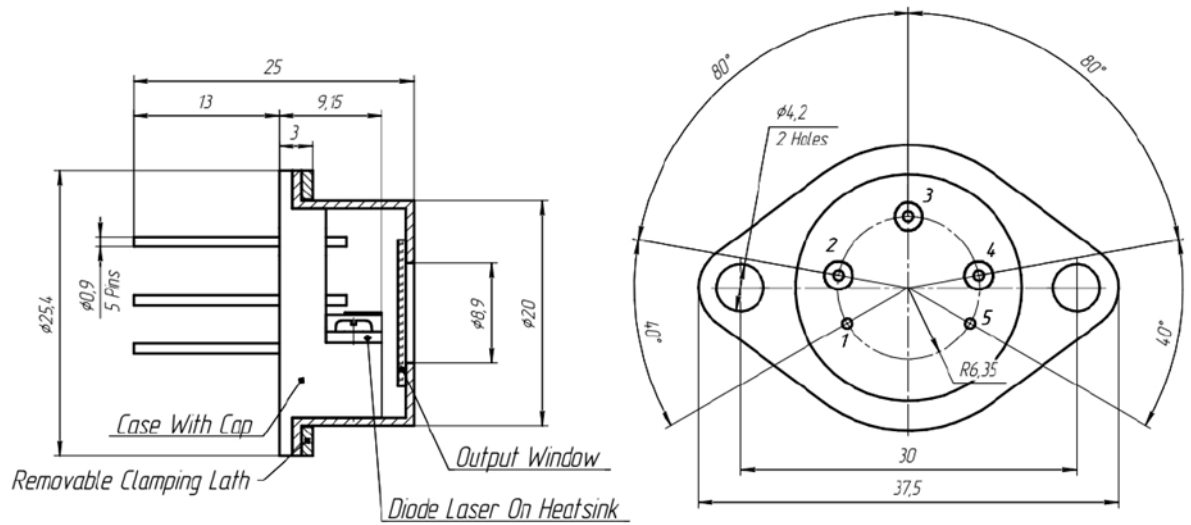
Laser Diode (TO-3 package)

Model FB-M1300-2000TO3

| Specification | Symbol | Typical | Unit |
|------------------------------------|--------------------------|--|----------------------------------|
| Laser Emitter | | | |
| Peak Wavelength | λ_{op} | 1300±10 | nm |
| CW Optical Output Power | P_{op} | 2 | W |
| Operation Current | I_{op} | <6 | A |
| Operation Voltage | U_{ld} | 1.2±0.1 | V |
| Threshold Current | I_{th} | <0.65 | A |
| Beam Divergence (FWHM) | $\theta_{ }$ | 10±1 | degree |
| Beam Divergence (FWHM) | θ_{\perp} | 1 | degree |
| Spectrum Half-Width (FWHM) | $\Delta\lambda$ | <7 | nm |
| Emitting Area | $W \times d$ | 100x1 | $\mu\text{m} \times \mu\text{m}$ |
| Operation Mode | - | CW, QCW, Pulse ($\tau > 5\text{ns}$) | - |
| Operation Temperature | T_{op} | 25 | degree |
| Photo Diode Monitor | | | |
| PD Monitor Current | | 1-1000 | μA |
| PD Reverse Voltage | | 9 | V |
| Wavelength Temperature Coefficient | $\Delta\lambda/\Delta T$ | 4.5±0.5 | $\text{\AA}/\text{degree}$ |
| Operation Temperature Range | | -20... +40 | degree |
| Storage Temperature Range | | -40... +80 | degree |



Drawings:



| | |
|------|------|
| 1, 5 | LD + |
| 2 | PD + |
| 3 | PD - |
| 4 | LD - |