



**PRODUCT DATA SHEET**

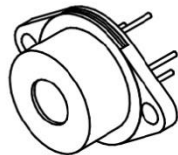
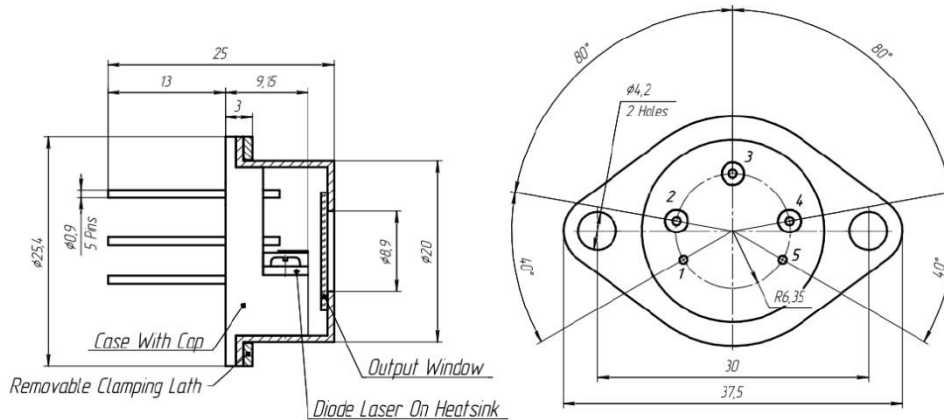
Laser Diode (TO-3 package)

Model FB-M1060-5000TO3

Specification	Symbol	Typical	Unit
<b>Laser Emitter</b>			
Peak Wavelength	$\lambda_{op}$	1060±20	nm
CW Optical Output Power	Pop	5	W
Operation Current	Iop	<7	A
Operation Voltage	Uld	1.4±0.1	V
Threshold Current	Ith	<0.8	A
Beam Divergence (FWHM)	$\theta_{  }$	10±2	degree
Beam Divergence (FWHM)	$\theta_{\perp}$	1	degree
Spectrum Half-Width (FWHM)	$\Delta\lambda$	<6	nm
Emitting Area	Wxd	100x1	$\mu\text{m}\times\mu\text{m}$
Operation Mode	-	CW, QCW, Pulse ( $\tau>5\text{ns}$ )	-
Operation Temperature	Top	25	degree
<b>Photo Diode Monitor</b>			
PD Monitor Current		1-1000	$\mu\text{A}$
PD Reverse Voltage		9	V
Wavelength Temperature Coefficient	$\Delta\lambda/\Delta T$	3±0.2	$\text{\AA}/\text{degree}$
Operation Temperature Range		-20... +40	degree
Storage Temperature Range		-30... +60	degree



Drawings:



1, 5	LD +
2	PD +
3	PD -
4	LD -