

PRODUCT DATA SHEET

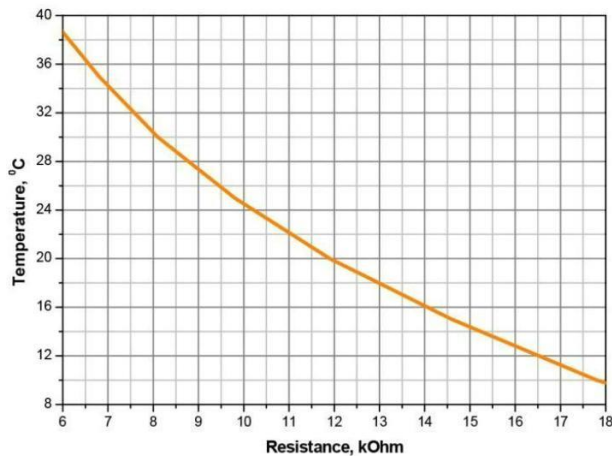
Laser Diode (HHL w/fiber package)

Model FB-M1915-300HF

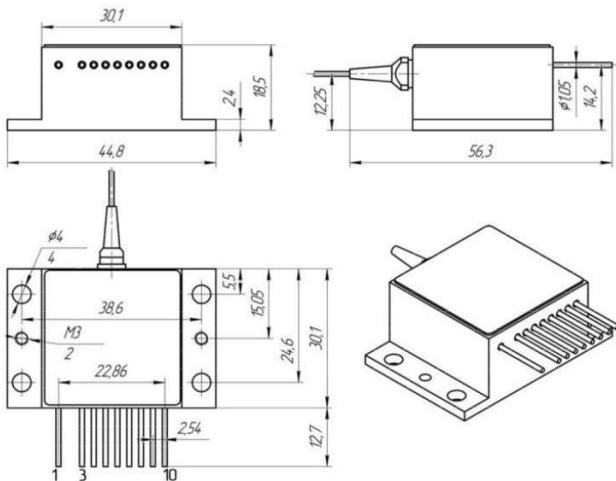
Specification	Symbol	Typical	Unit
Laser Emitter (at Top=25 degree)			
Peak Wavelength	I _{op}	1915±15	nm
CW Optical Output Power	P _{op}	0.3	W
Operation Current	I _{op}	<3.5	A
Operation Voltage	U _{ld}	<1.4	V
Threshold Current	I _{th}	<1	A
Spectrum Half-Width (FWHM)	Δλ	<8	nm
Operation Mode		Continuous	-
Optical Fiber			
Fiber diameter		200	μm
Coating diameter		220	μm
Outer diameter		3	mm
Numerical Aperture		0,22	-
Fiber Length		1	m
Optical Connector Type		FC	-
TEC			
Maximum Current		5	A
Maximum Operation Voltage		3,8	V
Other parameters			
Thermistor Resistance		10	kilohm
Operation Temperature Range		-20... +40	degree
Wavelength Temperature Coefficient	Δλ/ΔT	9.0±0.5	Å/degree
Guaranteed Life Time		1	year



Thermistor resistance diagram



Dimensions and pinouts



- 1-TEC (-)
- 2- 3-
- 4- Laser Anode(+)
- 5- Thermistor (2)
- 6- Thermistor (1)
- 7- Laser Cathode (-)
- 8-
- 9-
- 10- TEC (+)