



## PRODUCT DATA SHEET

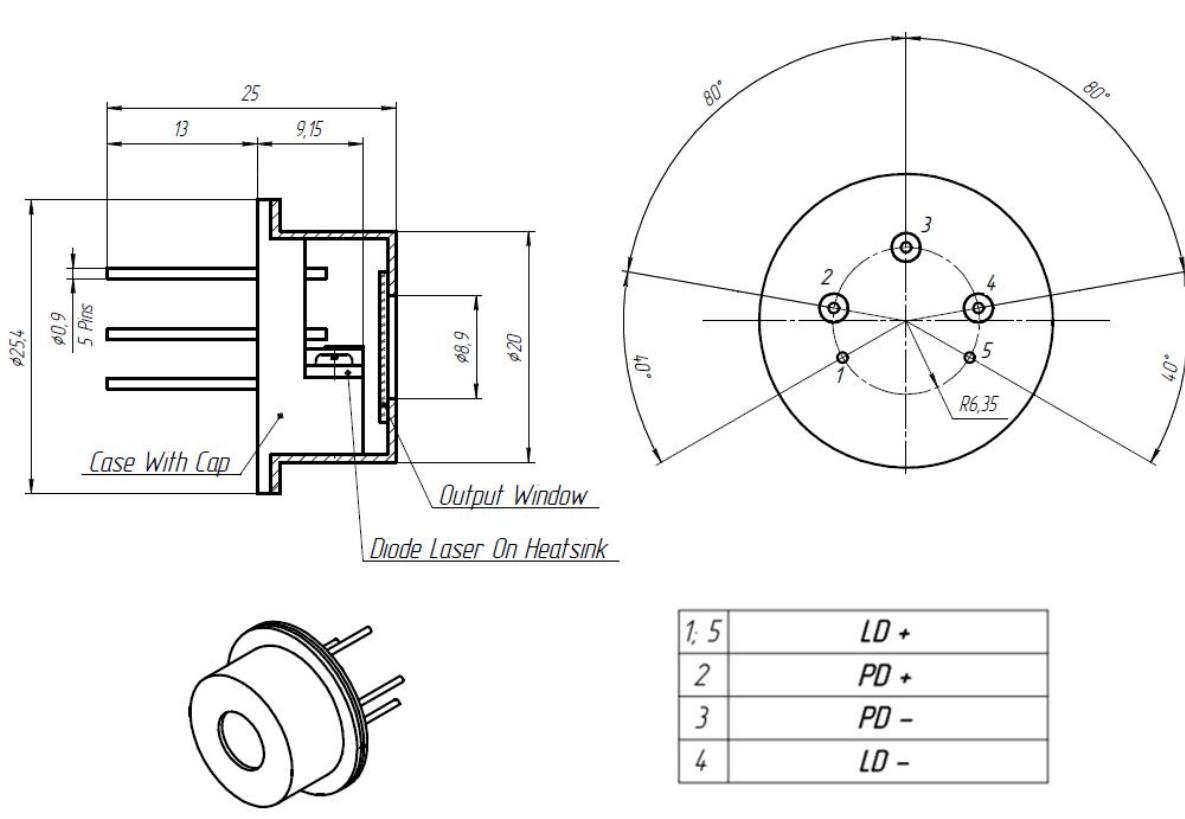
Pulse Laser Diode (TO-3 package) 1550nm 10W

Parameter	Sign	Value			Unit
		Min	Typical	Max	
<b><i>Laser emitter</i></b>					
Pulse output optical power	$P_{op}$	-	10	-	W
Power temperature shift	$\Delta P/\Delta T$	1.0	1.3	1.6	W/ $^{\circ}$ C
Operation current (current pulse amplitude)	$I_{pa\delta}$	40	45	50	A
Emitting aperture	$W \times d$		100x1		$\mu$ m* $\mu$ m
Operation voltage	$U_{op}$	3	4	5	V
Beam divergence in vertical plane (FWHM) (fast axis)*	$\theta_{\perp}$	30	35	40	deg
Beam divergence in horizontal plane (FWHM) (slow axis)	$\theta_{\parallel}$	15	20	25	deg
Wavelength	$\lambda$	<b>1500</b>	<b>1550</b>	<b>1600</b>	nm
Spectrum temperature shift	$\Delta\lambda/\Delta T$	0.45	0.5	0.55	nm/ $^{\circ}$ C
<b><i>Operation mode - Pulse</i></b>					
Pulse duration	$\tau$	5	100	-	ns
Pulse frequency	f	-	1	100	kHz
Temperature operation rate*		10	+25	+30	$^{\circ}$ C

Optionally cylindrical lens can be installed into the package, which narrow beam divergence by fast axis to  $1\pm 0.5$  deg/ (FWHM)



Drawings:



1; 5	LD +
2	PD +
3	PD -
4	LD -