



PRODUCT DATA SHEET

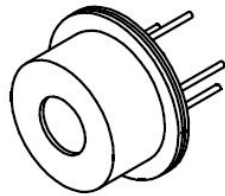
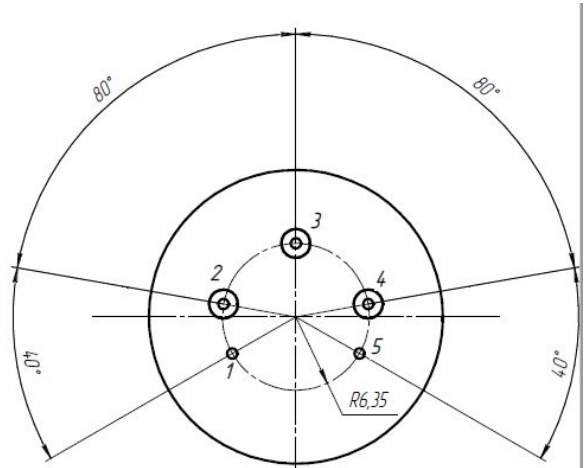
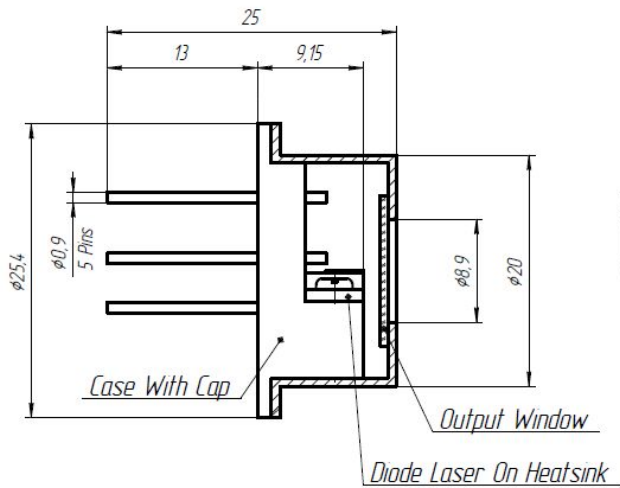
Laser Diode (TO-3 package)

Model FB-M1985-300TO3

Specification	Symbol	Typical	Unit
Laser Emitter			
Peak Wavelength	λ_{op}	1985±15	nm
CW Optical Output Power	P_{op}	0.3	W
Operation Current	I_{op}	<4.0	A
Operation Voltage	U_{ld}	<1.5	V
Threshold Current	I_{th}	<1	A
Beam Divergence (FWHM)	$\theta_{ }$	8±2	degree
Beam Divergence (FWHM)	θ_{\perp}	1	degree
Spectrum Half-Width (FWHM)	$\Delta\lambda$	<8	nm
Emitting Area	$W \times d$	100x1	$\mu m \times \mu m$
Operation Mode	CW	continuous	-
Operation Temperature	Top	25	degree
Operation Temperature Range		-20... +40	degree
Storage Temperature Range		-40... +80	degree

Drawings:

Drawings



1; 5	LD +
2	PD +
3	PD -
4	LD -